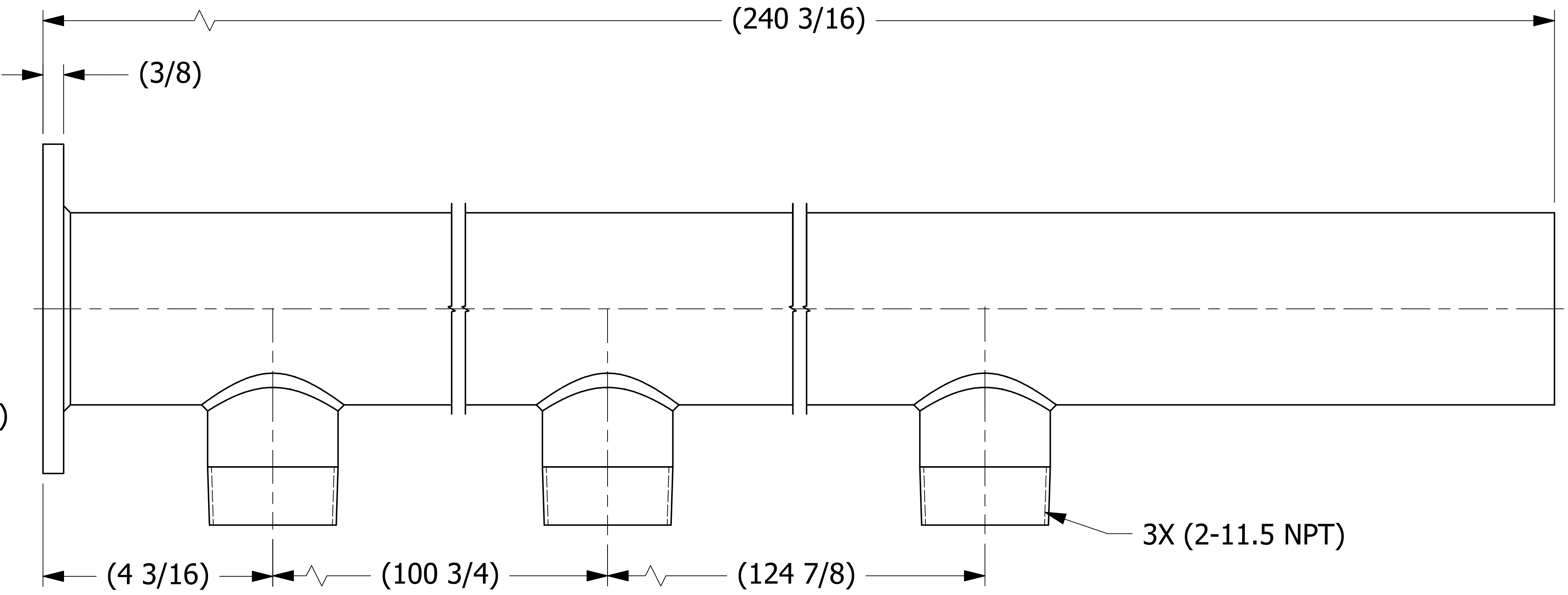
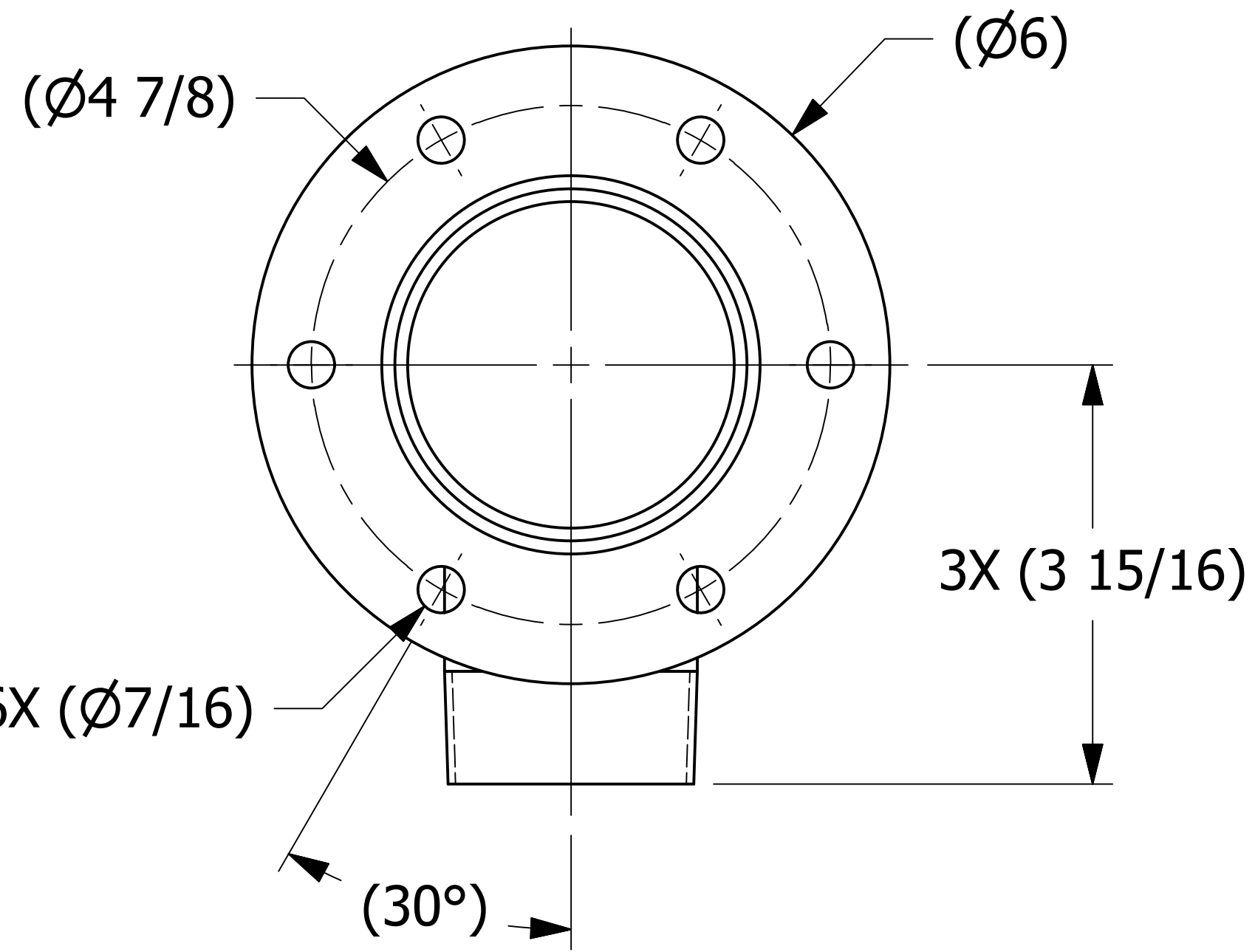


SALES DRAWING SALES DRAWING SALES DRAWING SALES DRAWING SALES DRAWING

SALES DRAWING SALES DRAWING SALES DRAWING SALES DRAWING SALES DRAWING



UNLESS OTHERWISE SPECIFIED DIMENSIONAL TOLERANCES	DRAWN BY:	ACC
FRACTIONAL: $\pm 1/16$	CHECKED BY:	
X.XX: $\pm .03$	PROTOTYPE DATE:	9/10/2004
X.XXX: $\pm .015$	APPROVED FOR PRODUCTION BY:	ACC
ANGULAR: $\pm 1^\circ$	PRODUCTION DATE:	9/10/2004
DEBURR ALL SHARP EDGES. ALL MACHINED SURFACES TO HAVE A 125 RMS FINISH UNLESS NOTED OTHERWISE.	SIZE:	D
THIRD ANGLE PROJECTION	DRAWING #:	19547

F	TAK	4/7/20	202004071304	TAK
REV	BY	DATE	REF #	PUB
SALCO PRODUCTS, INC.				
PART NAME: AIR MANIFOLD 3"				
MATERIAL: ALUMINUM				
PROJECT #: 010910			SHEET #: 1 OF 1	SCALE: 3:4
PART #: PD3AAM01				